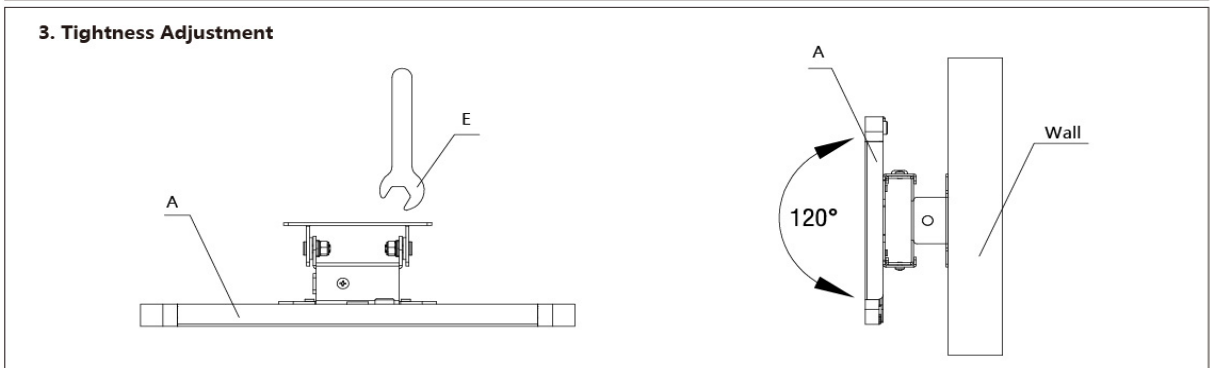
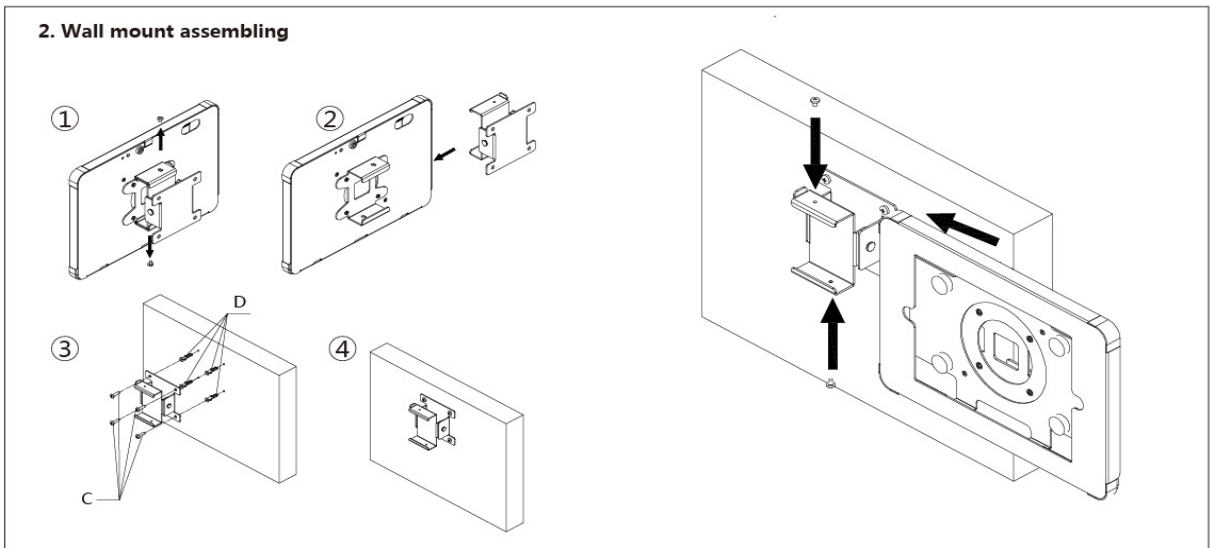
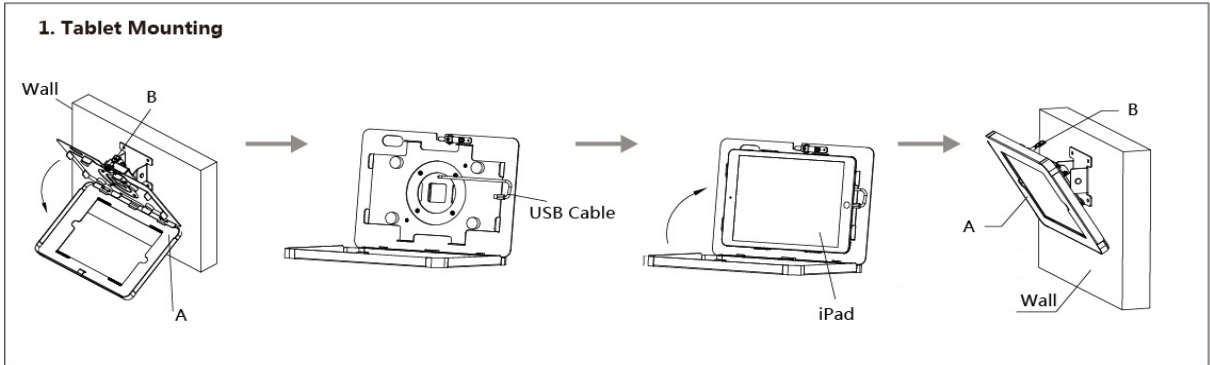


Installation instructions for wall mounted secure tablet POS kiosk with swivel mount



Packing List



A x1



B x2



C x4  
(ST4.8\*22)



D x4  
(Ø6\*30)



E x1