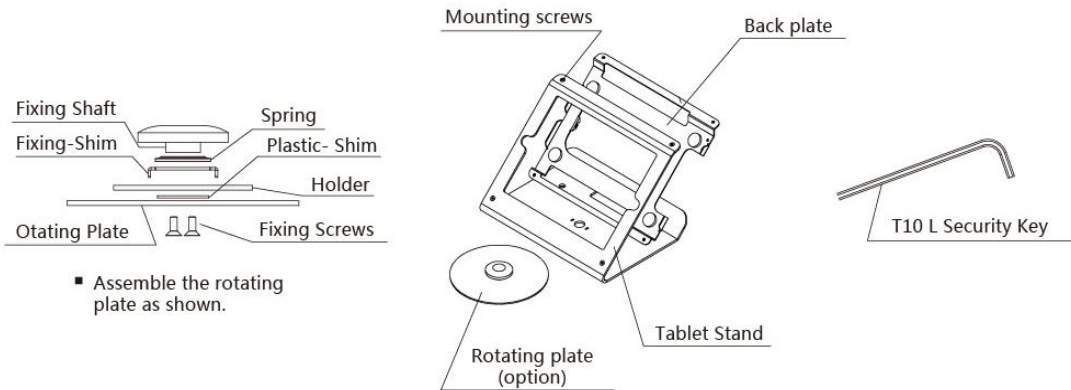
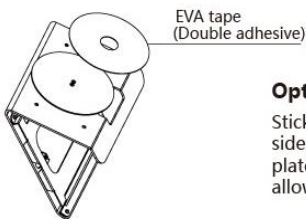




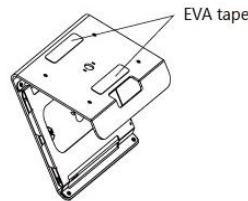
Installation instructions for secure tablet POS kiosk



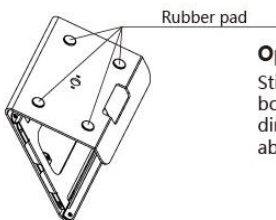
Mounting Options



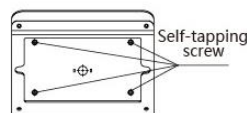
Option 1:
Stick the round EVA double sided tape between the rotating plate and the mounting surface, allows for 360° movement.



Option 2:
Stick the two square EVA double sided strips onto the stand base. And then fix the stand to the mounting surface. The stand can not be moved or rotated with this method.

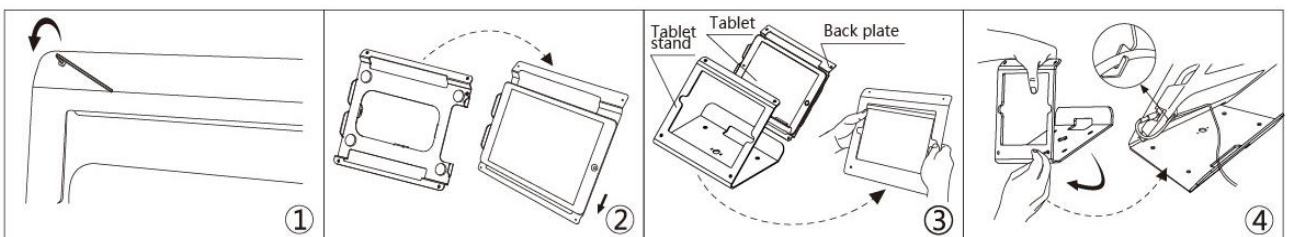


Option 3:
Stick four rubber pads onto the bottom of the stand base directly. This removes the risk of abrasions due to friction.



Option 4:
Using the four provided holes, crew the stand directly onto the mounting surface.

Product Usage



- Before installing the iPad, loosen the four screws on the stand in a clockwise direction using the L security key provided
- Take the back plate off as shown and place the iPad onto the back plate.
- Installed the tablet as shown. Please note: 2 variations of screws are included.
- Re-install the screws that were removed in the first step.
- Standard screws and high security screws.
- Insert the cable as shown above.