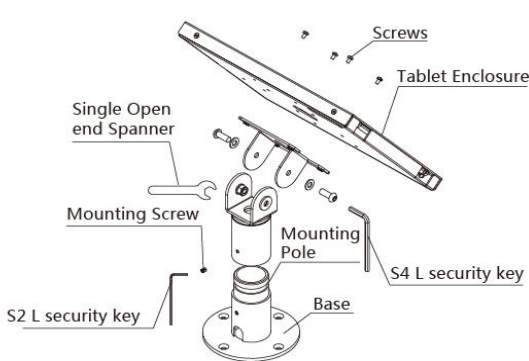
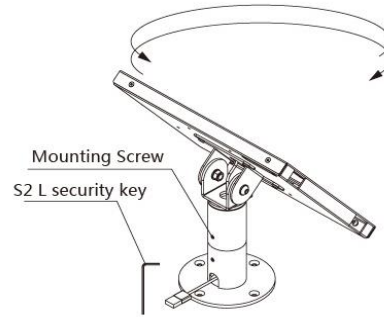




Installation instructions for secure tablet POS kiosk with swivel mount

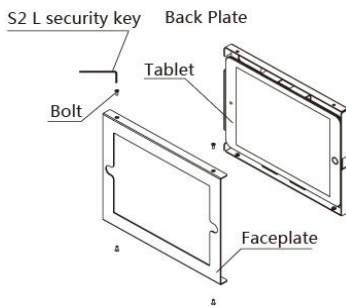


- S4 L security key can adjust the tightness of tablet enclosure rotation.

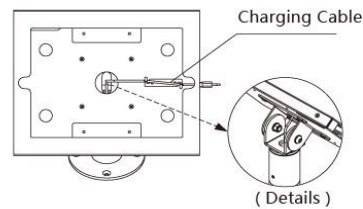


- Loose the mounting screw with the S2 L security key, then rotate the top tube part to the suitable angle then tighten it with the screw.

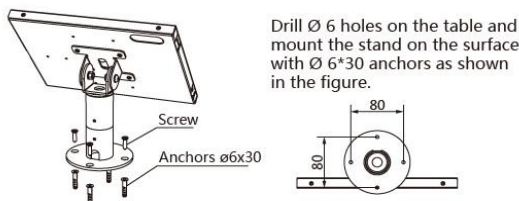
Tablet enclosure



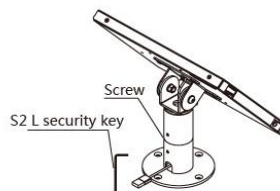
Charging Cable Routing



Mounting Options

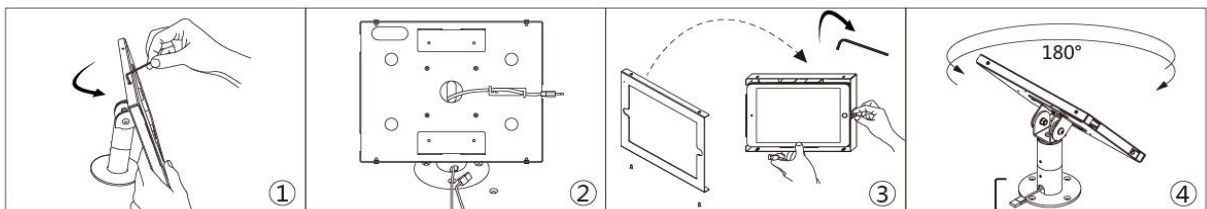


Drill $\varnothing 6$ holes on the table and mount the stand on the surface with $\varnothing 6 \times 30$ anchors as shown in the figure.



Fix the mounting screws tightly with S2 L security key, then the tablet enclosure can be rotated 180° from front to back.

Product Usage



- Before tablet installation loose the four screws in the enclosure sides in counter-clockwise direction by L security key provided.
- Lay the charging cable as the picture shown.
- Install the tablet; insert the charging cable.
- Screw the face plate to the back plate in clockwise direction with the L security key.
- Stand with tablet as shown.
- Tablet enclosure with 180° rotation forth and back as shown.
- Use S4 L security key to adjust rotatingtightness.